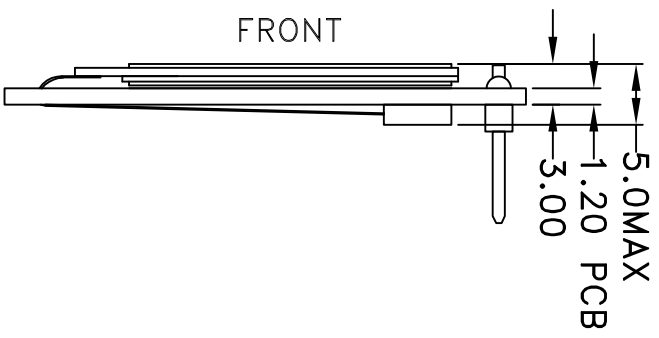
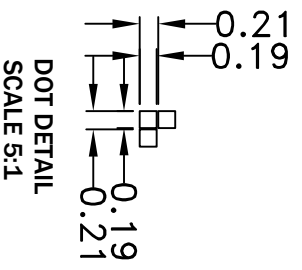


4- $\phi$ 2.20  
4- $\phi$ 3.50



Terminal	Symbol
1	GND
2	VCC
3	SCL
4	SDA
5	RES
6	DC
7	CS

*1. OLED Display Type	Positive Matrix	*6. Storage Temp	-40°C~90°C
*2. Display Color	Monochrome(White)	*7. Driver IC	SSD1327
*3. LCD Driver Mode	1/96Duty	*8. RHHS	
*4. Operating Voltage	3.3V		
*5. Operating Temp	-40°C~85°C		



# HOT DISPLAY

Dwg Title: HTM-OLED1.32-SPI

EDC No: Ver: A/0

Scale: 1:1 Unit: mm Tol: ±0.3

Drawn: Checked: Date: 2023-07-19